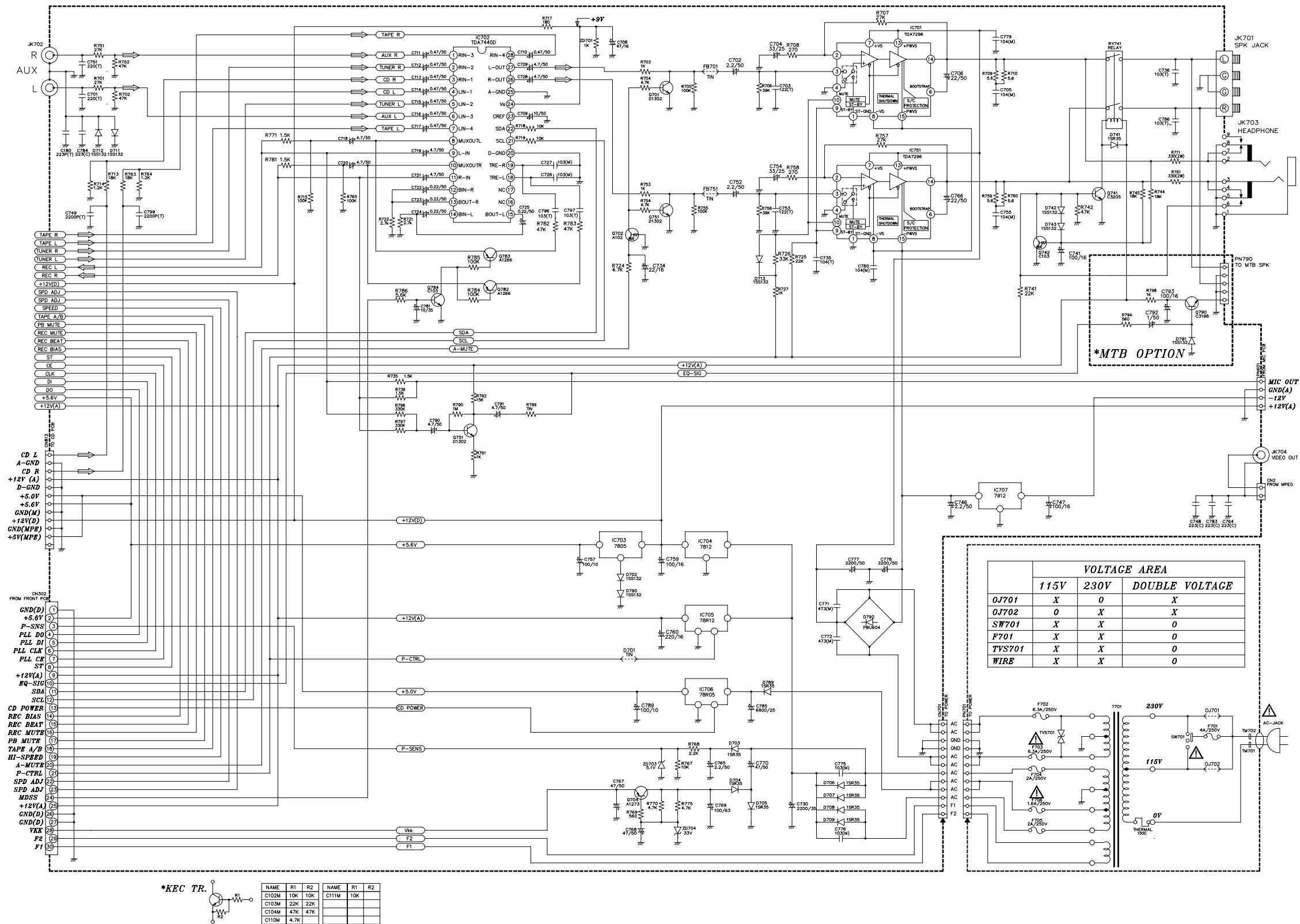


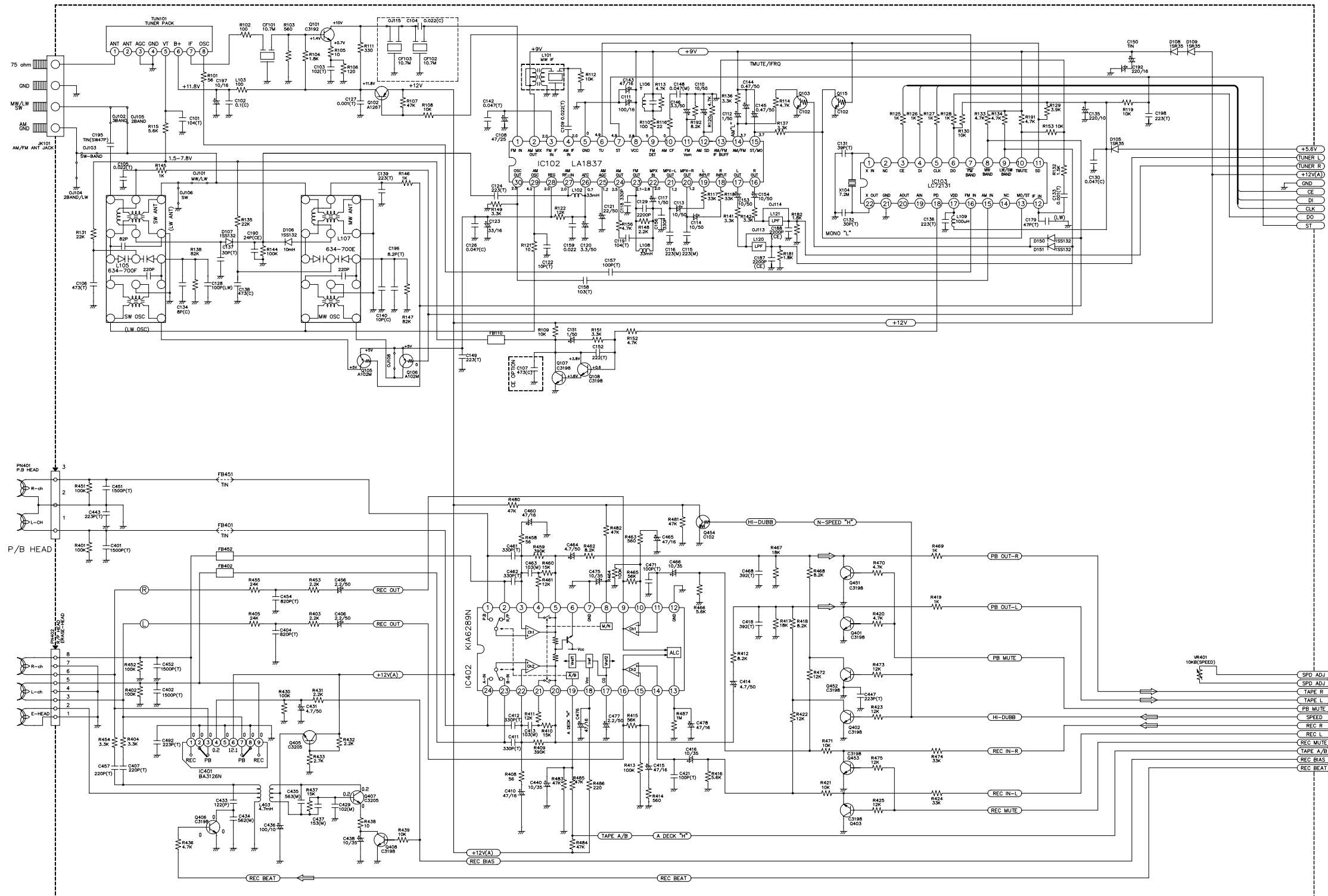
# SCHEMATIC DIAGRAMS

## • MAIN



- NOTES :
1. Resistance values are indicated in ohms unless otherwise specified (K=1,000, M=1,000,000).
  2. Capacitance values are shown in microfarads unless otherwise (P=MICRO-MICRO FARADS).
  3. Schematic diagram for this model are subject to change for improvement without prior notice.

# • TUNER & DECK

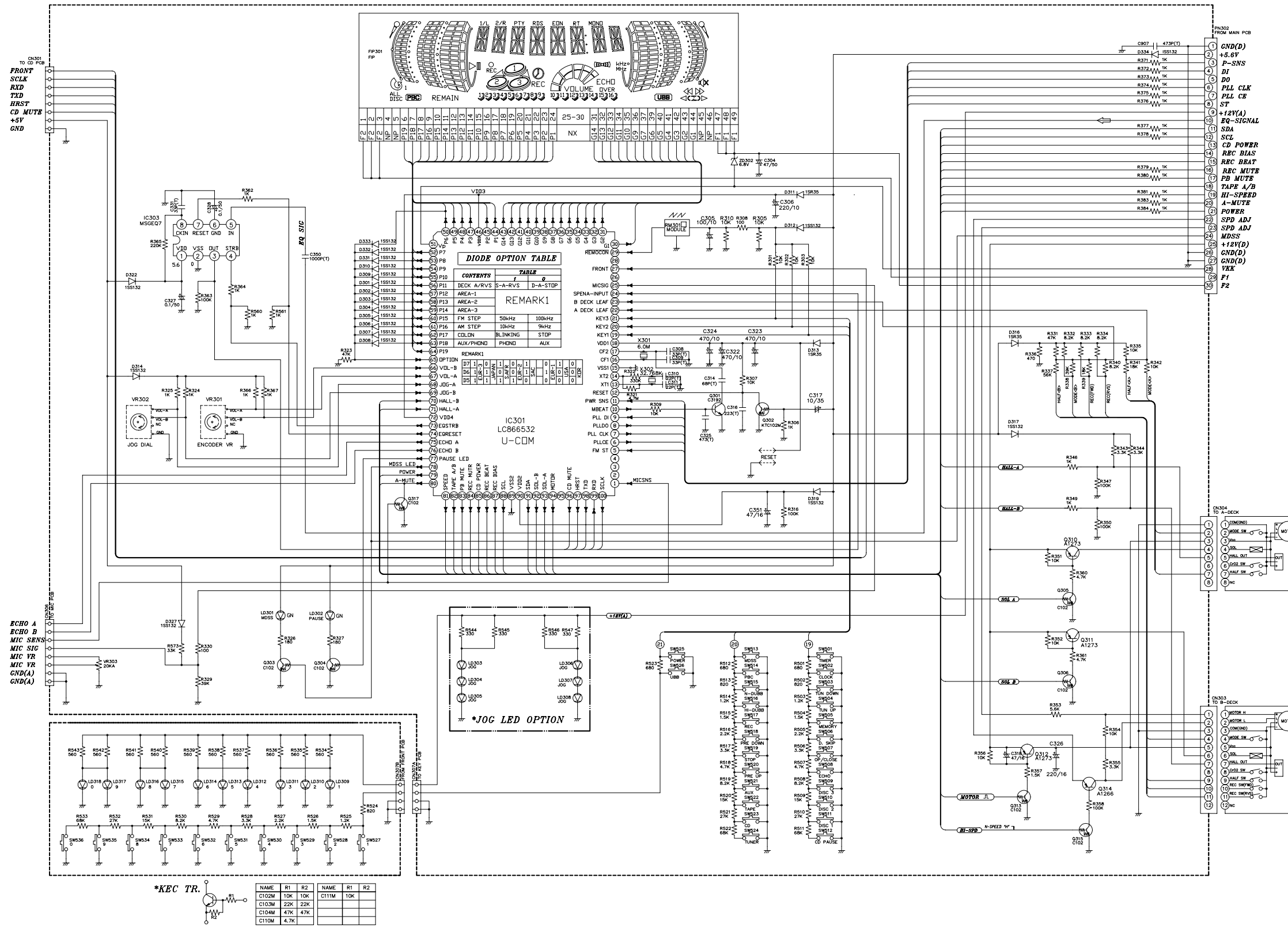


\*KEC TR.

NAME	R1	R2	NAME	R1	R2
C102M	10K	10K	C111M	10K	
C103M	22K	22K			
C104M	47K	47K			
C110M	4.7K				

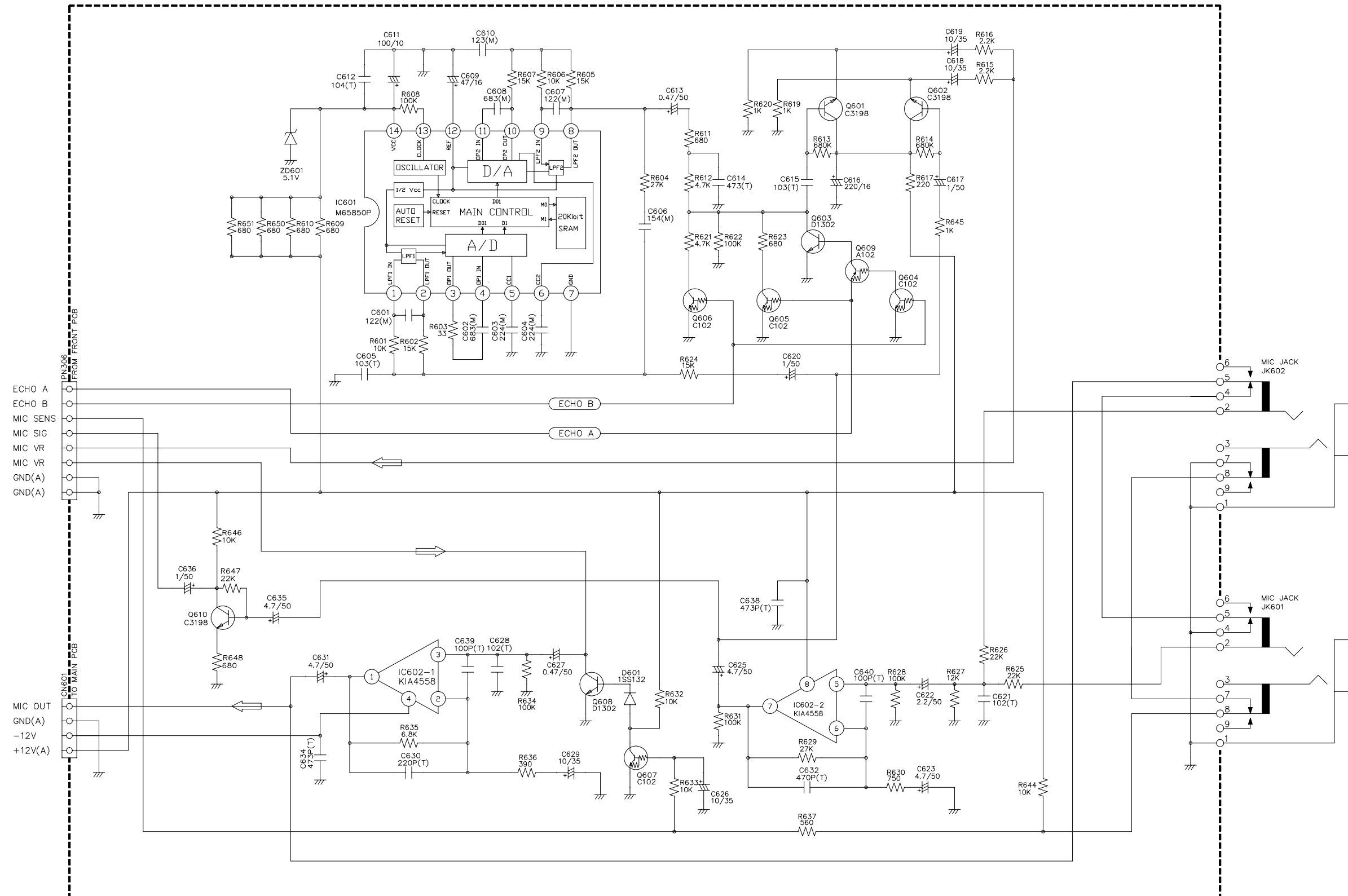
NOTES : Resistance values are indicated in ohms unless otherwise specified (K=1,000, M=1,000,000).  
 Capacitance values are shown in microfarads unless otherwise (P=MICRO-MICRO FARADS).  
 Schematic diagram for this model are subject to change for improvement without prior notice.

• FRONT

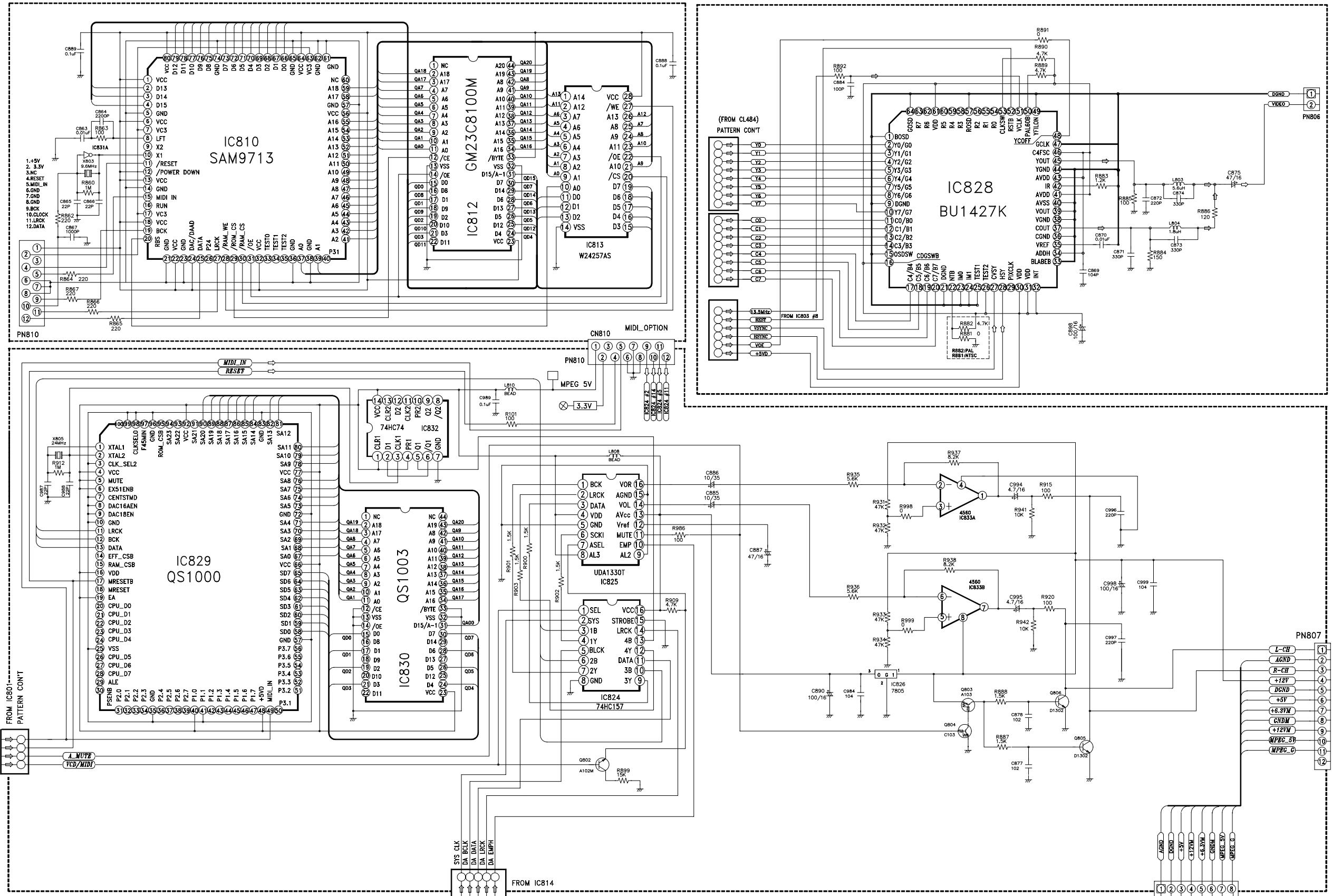


NOTES : Resistance values are indicted in ohms unless otherwise specified (K=1,000, M=1,000,000).  
 Capacitance values are shown in microfarads unless otherwise (P=MICRO-MICRO FARADS).  
 Schematic diagram for this model are subject to change for improvement without prior notice.

• MIC



• MIDI



• CD/MPEG

